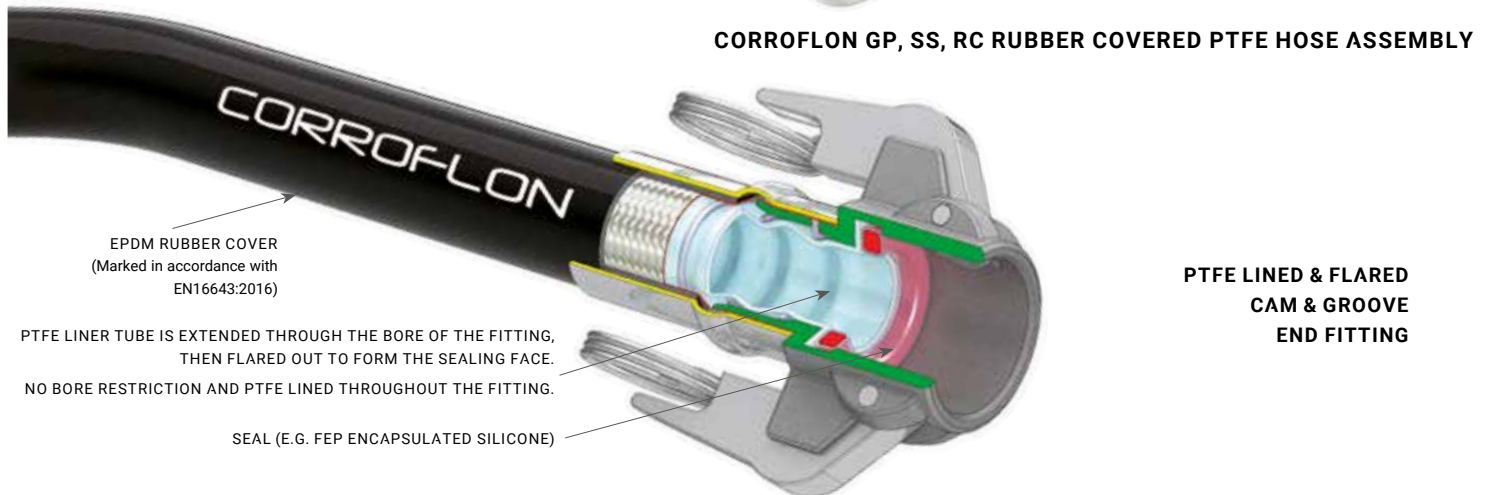
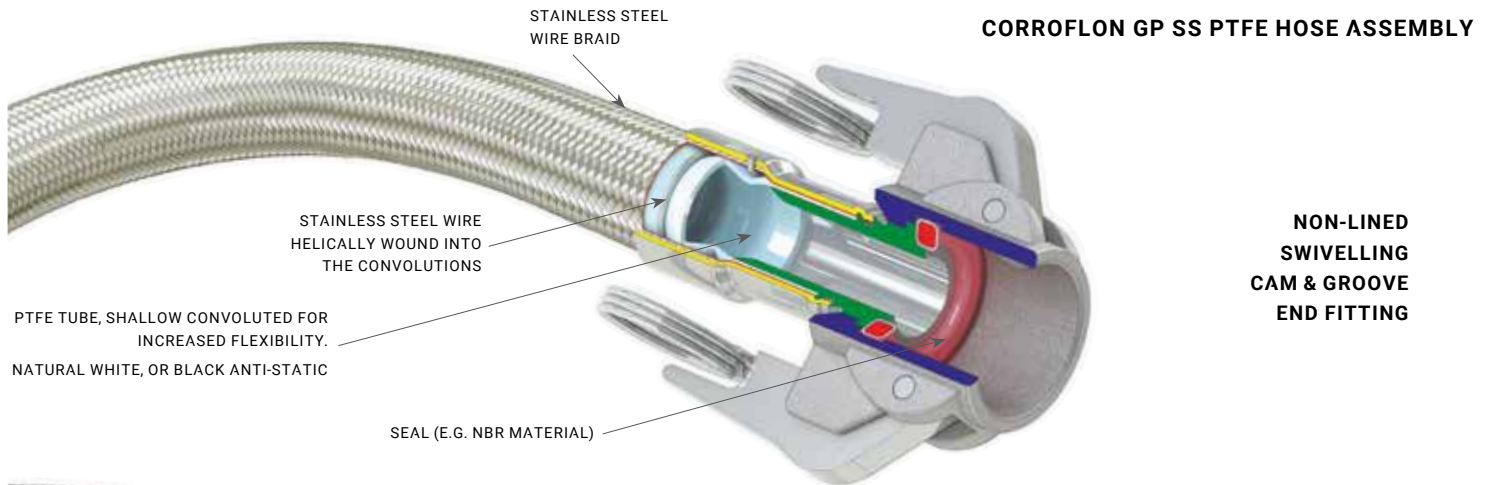


CORROFLON®

PTFE hose for chemical and process fluid transfer

Very tough - fully kink resistant - the shallow convoluted PTFE liner tube delivers exceptional flexibility



CORROFLON HOSE SPECIFICATIONS

HOSE BORE SIZE RANGE -

1/2" (15 MM) BORE UP TO 6" (150 MM) BORE

HOSE LENGTHS -

UP TO 2", 100 FEET (30 METRES). 2 1/2" AND 3", 65 FEET (20 METRES).
4", 32 FEET (10 METRES). 6", 13 FEET (4 METRES)

TEMPERATURE LIMITS -

FOR STAINLESS STEEL (SS) BRAIDED HOSE -100 F (-73 C) TO 500 F (+260 C). FOR OTHER BRAIDS AND RUBBER COVERED GRADES DIFFERENT TEMPERATURE LIMITS APPLY, SEE FULL BROCHURE

WORKING PRESSURE RATINGS -

FOR SS BRAIDED 595 PSI (41 BAR) FOR 1/2", TO 290 PSI (20 BAR) FOR 2" DEPENDANT UPON TEMPERATURE

VACUUM LIMITATIONS -

USABLE AT VACUUM TO -0.9BAR FOR ALL SIZES UP TO 2", AND IN SPECIAL PURPOSE (SP) GRADE FOR SIZES ABOVE 2"

END FITTING OPTIONS - Non-lined, or PTFE lined & flared design for:
ANSI 150, DIN AND JIS SWIVEL FLANGES, CAM & GROOVE, SANITARY TRICLAMP, DIN11851 AND SMS HYGIENIC FITTINGS

END FITTING OPTIONS - Non-lined design for:

BSP, NPT AND JIC THREADED FITTINGS, AND RJT FITTINGS AND MORE

BRAID DESIGN OPTIONS -

STAINLESS STEEL WIRE OR POLYPROPYLENE YARN BRAIDS ARE STANDARD, WITH HASTELLOY (HB) OR PVDF BRAIDS AVAILABLE TO SPECIAL ORDER

EXTERNAL COVER OPTIONS -

BLACK EPDM RUBBER COVER (RC), OR CLEAR SILICONE RUBBER COVER (SI)

Nominal Hose Bore Size		Bore Inside Convolutions		Corroflon Grade (Braid & Cover)	Maximum Working Pressure of Hose		Burst Pressure		Minimum Bend Radius	
in	mm	in	mm		Bar	psi	Bar	psi	in	mm
1/2	15	0.440	11.2	TO	6	87	24	350	1 1/2	38
				SS	41	595	450	6525	1 1/2	38
				PB	31	450	150	2175	1 1/2	38
				SS, RC	41	595	450	6525	2 1/4	57
				RC, SI	41	595	450	6525	2 1/4	57
KYB	15	215	61.5	890	1 1/2	38				
3/4	20	0.620	15.7	TO	5	70	20	290	2	51
				SS	35	505	240	3480	2	51
				PB	26	375	105	1520	2	51
				SS, RC	35	505	240	3480	3	76
				RC, SI	35	505	240	3480	3	76
				KYB	13	190	52.5	760	2	51
1	25	0.847	21.5	TO	4.5	65	18	260	2 3/4	70
				SS	31	450	200	2900	2 3/4	70
				PB	23	334	93	1350	2 3/4	70
				SS, RC	31	450	200	2900	4 1/4	105
				RC, SI	31	450	200	2900	4 1/4	105
				KYB	11	160	46.5	675	2 3/4	70
1 1/4	32	1.080	27.5	TO	4	58	16	230	3 1/4	82
				SS	27	390	180	2610	3 1/4	82
				PB	20	290	81	1175	3 1/4	82
				SS, RC	27	390	180	2610	4 3/4	123
				RC, SI	27	390	180	2610	4 3/4	123
				KYB	10	145	40.5	585	3 1/4	82
1 1/2	40	1.250	32.0	TO	3.5	50	14	205	4	100
				SS	23	335	120	1740	4	100
				PB	17	245	69	1000	4	100
				SS, RC	23	335	120	1740	6	150
				RC, SI	23	335	120	1740	6	150
				KYB	9	130	34.5	500	4	100
2	50	1.690	43.0	TO	3	44	12	175	5 1/2	140
				SS	20	290	100	1450	5 1/2	140
				PB	15	215	60	870	5 1/2	140
				SS, RC	20	290	100	1450	8 1/4	210
				RC, SI	20	290	100	1450	8 1/4	210
				KYB	8	115	30	435	5 1/2	140
2 1/2	65	2.120	54.0	TO	2.5	36	10	145	7	178
				SS	16	230	70	1015	7	178
				PB	12	175	48	695	7	178
				SS, RC	16	230	70	1015	10 1/2	267
				RC, SI	16	230	70	1015	10 1/2	267
				KYB	6	87	24	350	7	178
3	80	2.500	64.0	TO	2	29	8	115	9	230
				SS	14	205	60	870	9	230
				PB	10	145	42	610	9	230
				SS, RC	14	205	60	870	13 1/2	345
				RC, SI	14	205	60	870	13 1/2	345
				KYB	5	73	21	305	9	230
4	100	3.860	98.0	TO	1.5	22	6	87	11 3/4	300
				SS	10	145	40	580	11 3/4	300
				PB	8	115	30	435	11 3/4	300
				SS, RC	10	145	40	580	17 3/4	450
				RC, SI	10	145	40	580	17 3/4	450
				KYB	-	-	-	-	-	-
6	150	5.250	130.0	TO	0.75	11	3	44	23 3/4	600
				SS	5	73	20	290	23 3/4	600
				PB	-	-	-	-	-	-
				SS, RC	5	73	20	290	35 1/2	900
				RC, SI	5	73	20	290	35 1/2	900
				KYB	-	-	-	-	-	-

TO = Tube only, SS = Stainless steel braid, PB = Polypropylene braid, SS,RC = Fireproof rubber cover, RC = EPDM rubber cover, SI = Silicone rubber cover, KYB = Kynar braid

A member of Watson-Marlow Fluid Technology Group.
A Spirax-Sarco Engineering plc company

CFLN - USA/16.12.21 Rev 8

WATSON-MARLOW INC

32 Appletree Lane
Pipersville, PA 18947

Tel: 215 - 766 - 1455
Fax: 215 - 766 - 1688



WWW.AFLEX-HOSE.COM



Disclaimer: The information contained in this document is believed to be correct but Aflex Hose Limited accepts no liability for any errors it contains and reserves the right to alter specifications without notice. It is the users' responsibility to ensure product suitability for use within their application. Bioflex, Corroflon, Corroline, Pharmaline, FaBLINE, Hyperline FX are registered trademarks of Aflex Hose Limited.