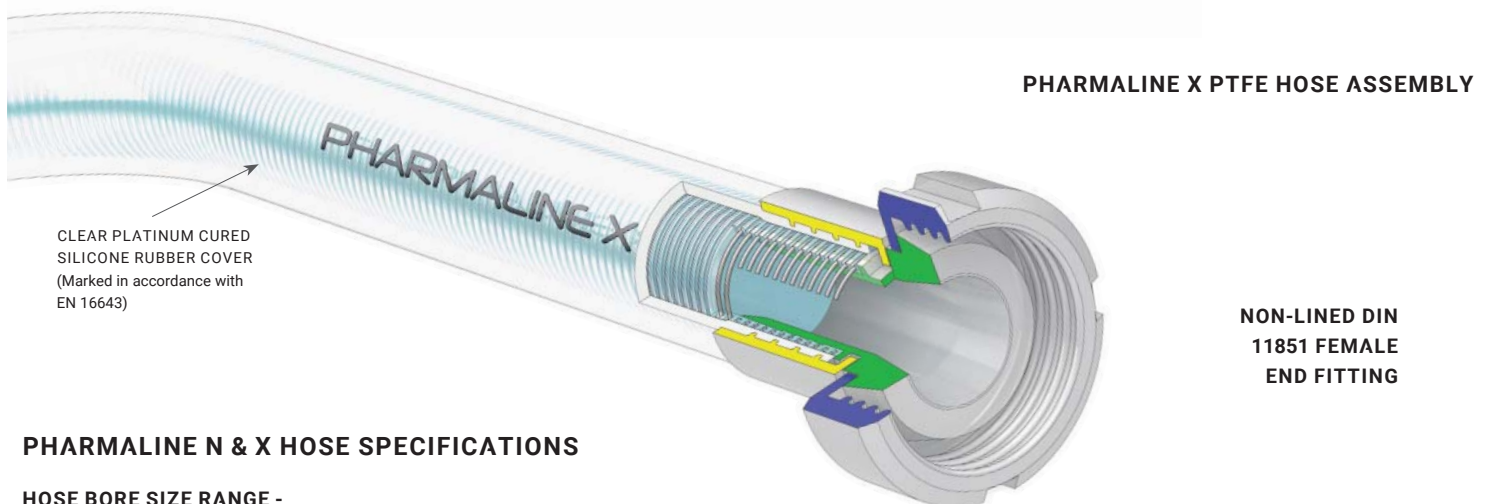
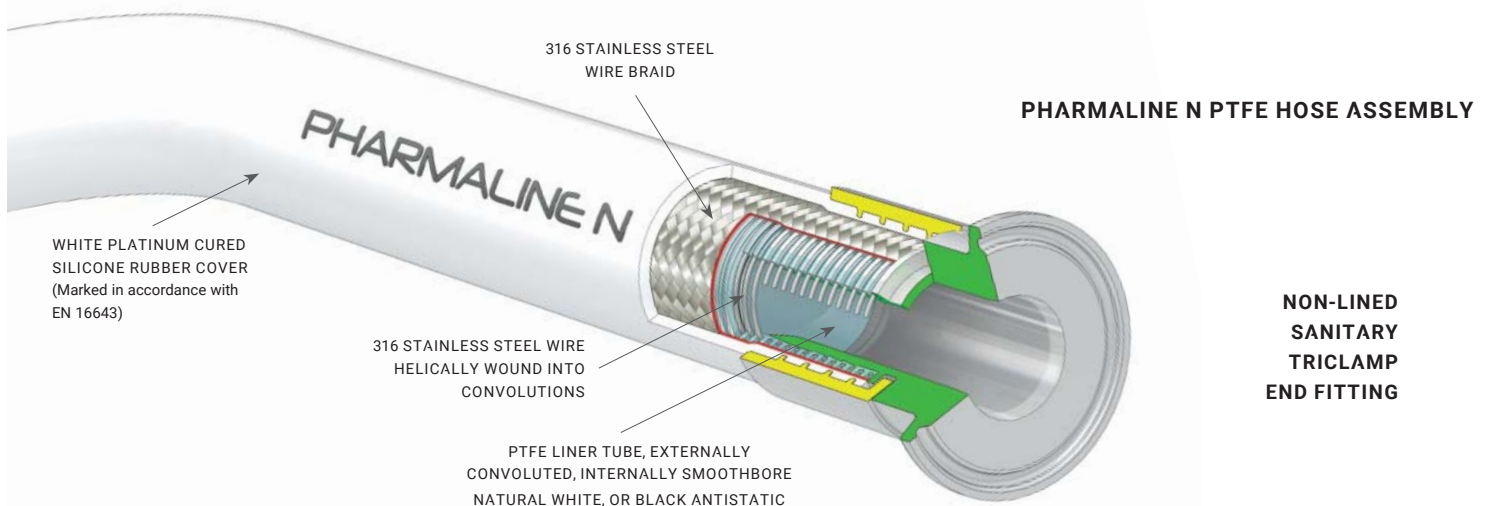


PHARMALINE N&X

PTFE Hose for Pharmaceutical and Biotech Fluids Transfer

Replaces Silicone Rubber Hose in applications where total internal Chemical Resistance is required



PHARMALINE N & X HOSE SPECIFICATIONS

HOSE BORE SIZE RANGE -

Pharmaline N - 1/4" (6.8MM) UP TO 3" (80MM)

Pharmaline X - 1/4" (6.8MM) UP TO 2" (50MM)

HOSE LENGTHS -

Pharmaline N - 30 METRES (100 FEET) UP TO 2", 18 METRES (60 FEET) UP TO 2 1/2", 15 METRES (50 FEET) UP TO 3"

Pharmaline X - 20 METRES (65 FEET) UP TO 1", 6 METRES (20 FEET) UP TO 2"

TEMPERATURE LIMITS -

FROM -73°C (-100°F) UP TO +204°C (+400°F)

WORKING PRESSURE RATINGS -

Pharmaline N

80 BAR (1160 PSI) FOR 1/4" TO 28 BAR (400 PSI) FOR 2"

Pharmaline X

7.5 BAR (110 PSI) FOR 1/4" TO 2 BAR (30 PSI) FOR 2"

VACUUM LIMITATIONS -

VACUUM RESISTANT TO -0.9 BAR FOR ALL SIZES UP TO 140°C (284°F)

END FITTINGS *Non-Lined design for:*

ANSI 150, DIN AND JIS SWIVEL FLANGE FITTINGS, CAM & GROOVE FITTINGS, SANITARY TRICLAMP FITTINGS, DIN11851, RJT AND SMS FITTINGS, BSP, NPT AND JIC THREADED FITTINGS

ALTERNATIVE DESIGN OPTIONS -

IF ALTERNATIVE HOSE DESIGNS LIKE A DIFFERENT COLOURED SILICONE RUBBER, OR PTFE LINED FITTINGS ARE REQUIRED, IT MAY BE POSSIBLE TO MATCH THOSE REQUIREMENTS WITH THE BIOFLEX ULTRA PRODUCT - CONSULT AFLEX HOSE FOR DETAILS.

APPROVALS -

ISO 9001, EN16643, TS16949, ISO 14001, FDA (MATERIALS), USP 6, 3-A SANITARY STANDARDS, ATEX, 3.1 TRACEABILITY, (EU) 10/2011

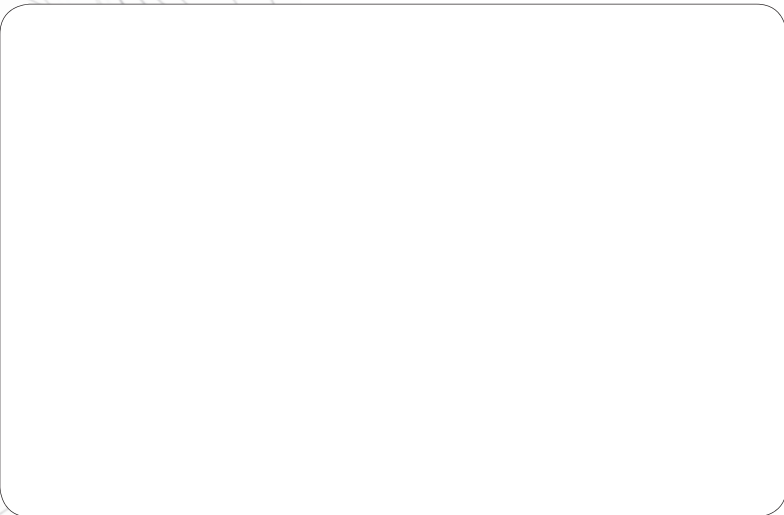
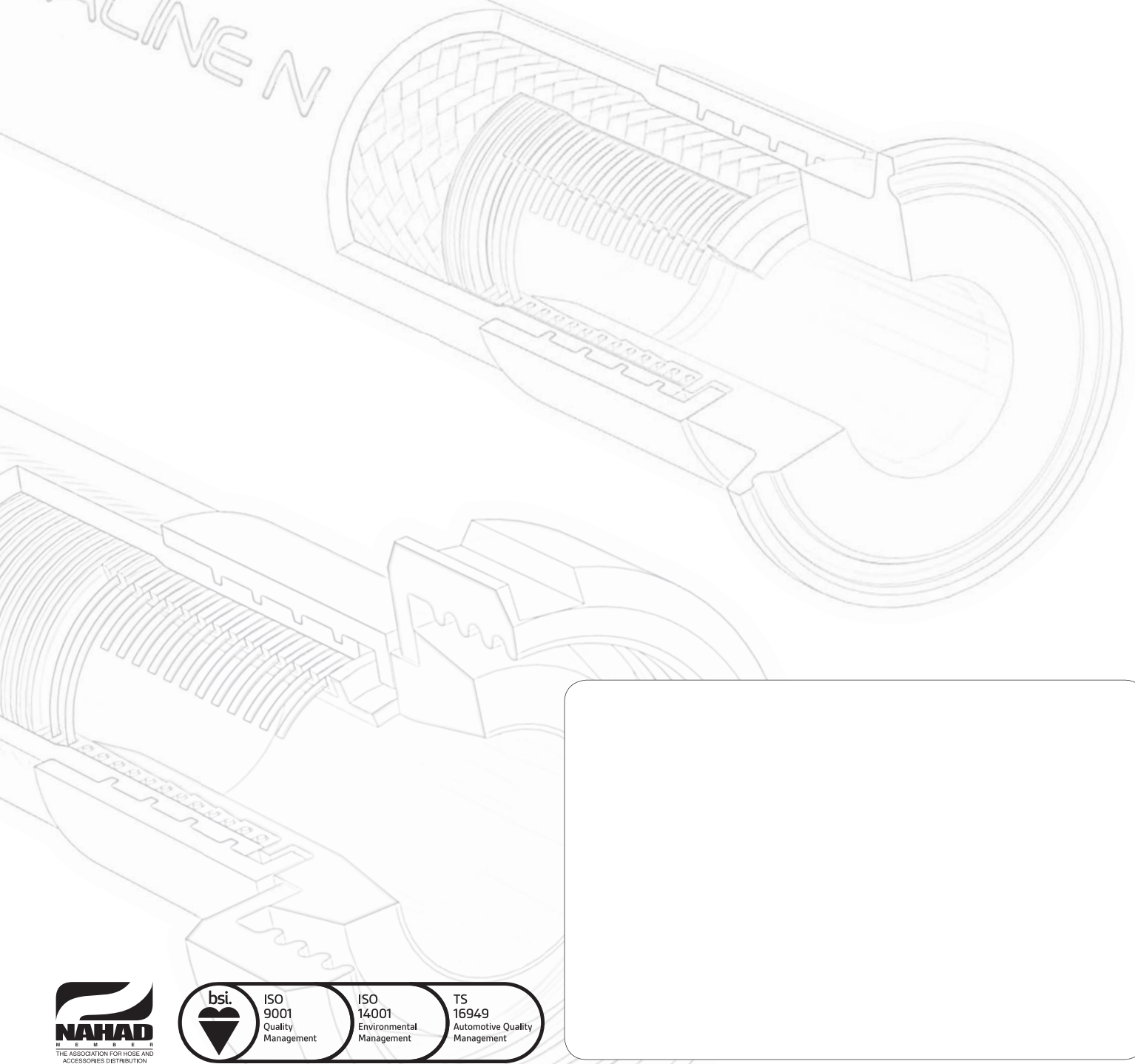
FOR THE FULL PHARMALINE N & X HOSE BROCHURE PLEASE VISIT - WWW.AFLEX-HOSE.COM

UK +44 (0)1422 317200 USA 215 766 1455

PHARMALINE N&X

PTFE Hose for Pharmaceutical and Biotech Fluids Transfer

PHARMALINE N



FM 643412

EMS 657211

TS 643414

USA PHAN/PHAX/06.12.16 Rev 5

UK

Spring Bank Industrial Estate
Watson Mill Lane
Sowerby Bridge
Halifax
West Yorkshire, HX6 3BW
Tel: +44 (0) 1422 317200
Fax: +44 (0) 1422 836000

USA

32 Appletree Lane
Pipersville
Bucks County
Pa 18947
Tel: 215 - 766 - 1455
Fax: 215 - 766 - 1688



WWW.AFLEX-HOSE.COM

