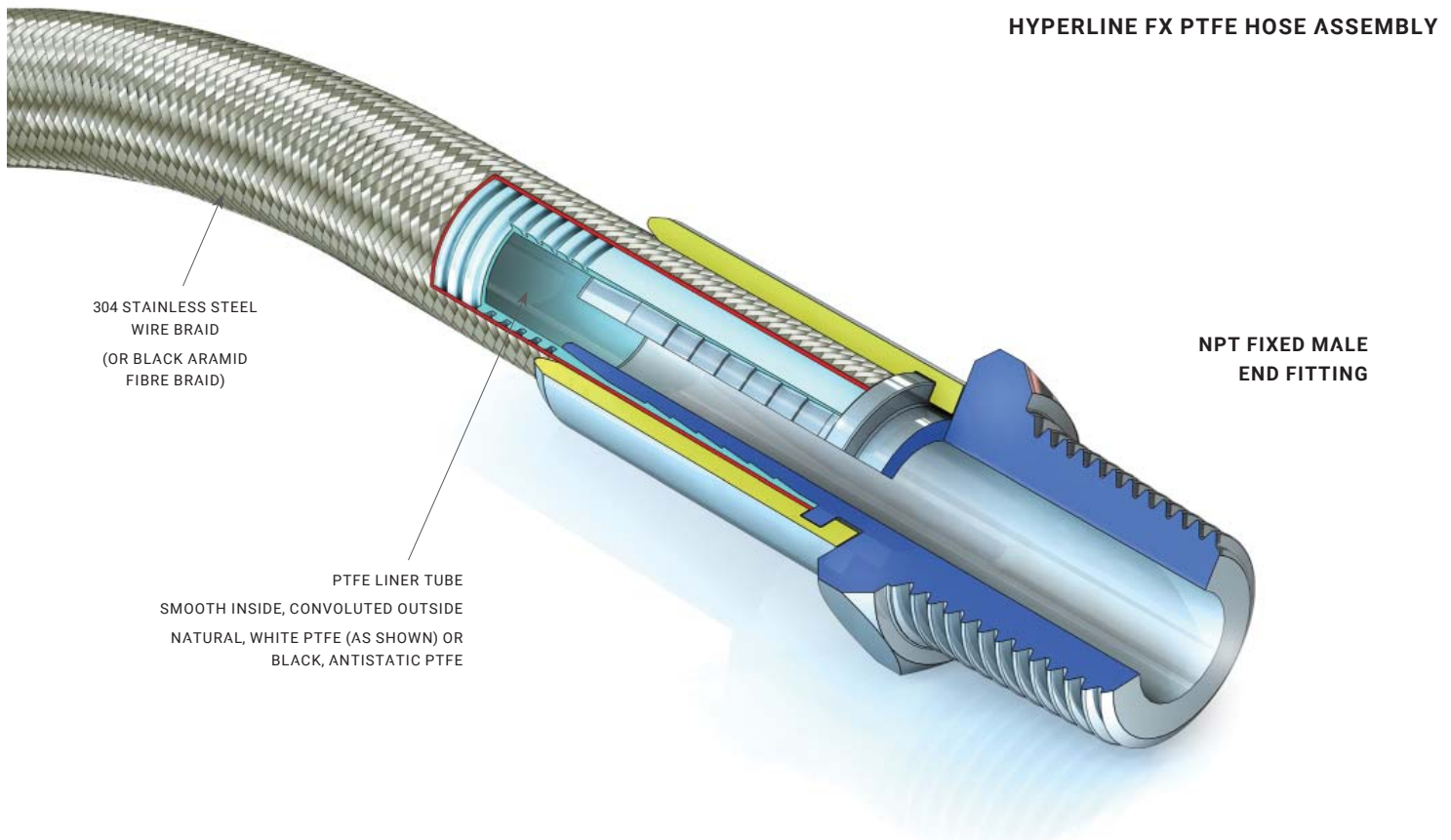


HYPERLINE FX

PTFE Hose for Automotive and General Purpose Applications

Smooth Bore, but with much improved Flexibility due to the Externally Convuluted PTFE Liner design



HYPERLINE FX HOSE SPECIFICATIONS

HOSE BORE SIZE RANGE -

1/4" (6.8MM ACTUAL BORE) UP TO 1" (26.0MM ACTUAL BORE)

HOSE LENGTHS -

ALL SIZES UP TO 18 METRES (60 FEET)

CUT LENGTHS AND PREFORMED LENGTHS AVAILABLE

TEMPERATURE LIMITS -

-73°C (-100°F) UP TO +260°C (+500°F), DEPENDING ON PRESSURE

WORKING PRESSURE RATINGS -

SS Braided

FROM 88 BAR (1280 PSI) FOR 1/4" TO 40 BAR (580 PSI) FOR 1"

Aramid Fibre Braided

FROM 62 BAR (900 PSI) FOR 1/4" TO 28 BAR (400 PSI) FOR 1"

VACUUM LIMITATIONS -

VACUUM RESISTANT TO -0.9 BAR FOR ALL SIZES OF SS BRAIDED HOSE UP TO 150°C (300°F)

END FITTINGS

BSPT AND NPT MALE AND FEMALE, BSP AND NPSM CONE AND FLAT SEAT FEMALE UNION FITTINGS, JIC THREADED FITTINGS, STANDPIPE FITTINGS AND MANY MORE

STANDARD BRAID OPTIONS -

STAINLESS STEEL WIRE OR BLACK ARAMID FIBRE BRAID

ALTERNATIVE DESIGN OPTIONS (TO SPECIAL ORDER) -

PVC, NYLON II, SARLINK, HYTREL AND OTHER PLASTIC COVERS, CLEAR OR COLOURED, WITH PRINTING

APPROVALS -

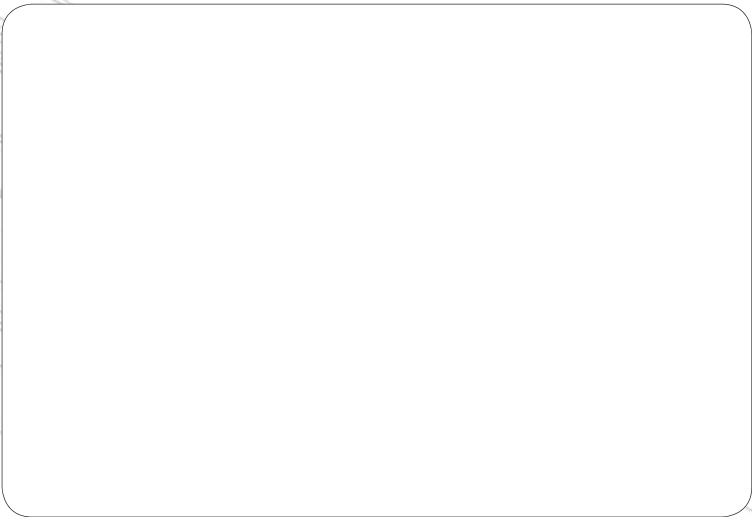
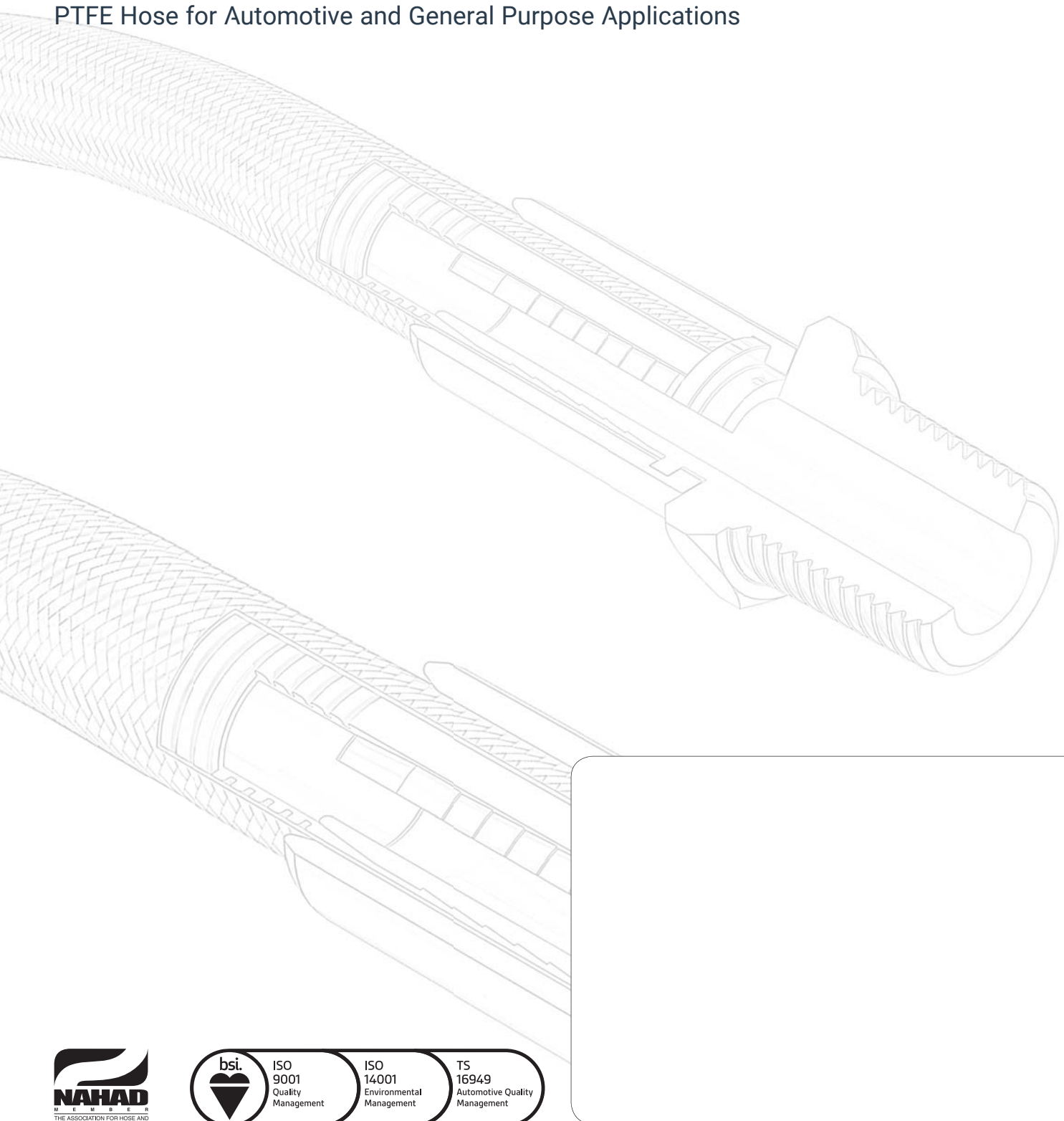
ISO 9001, EN16643, TS16949, ISO 14001, FDA (MATERIALS), USP 6, SAE J1737, 3.1 TRACEABILITY

FOR THE FULL HYPERLINE FX HOSE BROCHURE PLEASE VISIT - WWW.AFLEX-HOSE.COM

UK +44 (0)1422 317200 USA 215 766 1455

HYPERLINE FX

PTFE Hose for Automotive and General Purpose Applications



USA HYPFX/06.12.16 Rev 4

UK

Spring Bank Industrial Estate
Watson Mill Lane
Sowerby Bridge
Halifax
West Yorkshire, HX6 3BW
Tel: +44 (0) 1422 317200
Fax: +44 (0) 1422 836000

USA

32 Appletree Lane
Pipersville
Bucks County
Pa 18947
Tel: 215 - 766 - 1455
Fax: 215 - 766 - 1688



WWW.AFLEX-HOSE.COM

