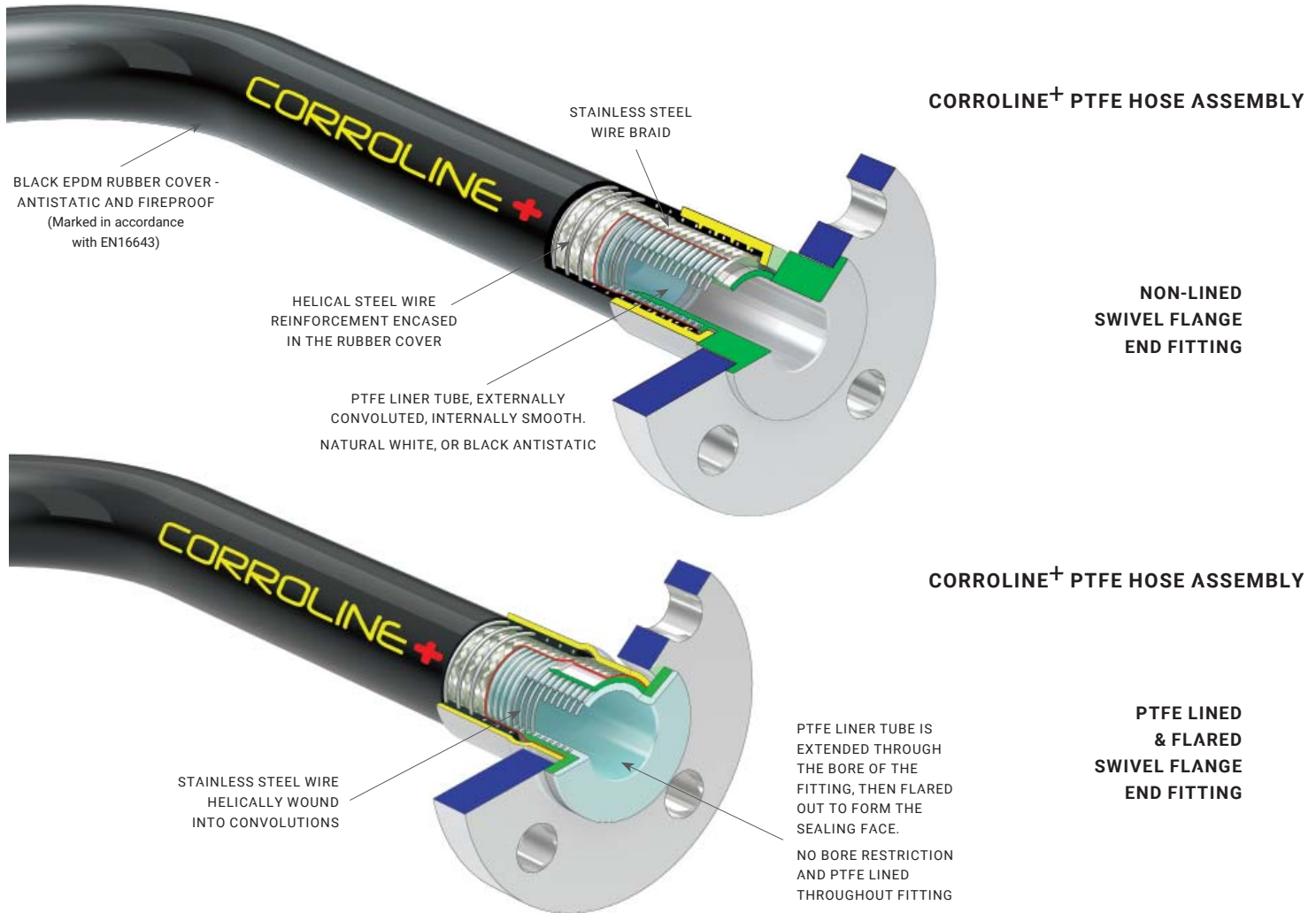


# CORROLINE<sup>+</sup>

PTFE Hose for Chemical and Process Fluids Transfer

Very Flexible - Very Tough - Fully Kink and Crush Resistant - Smooth Bore for Fast Flow and Easy Clean



## CORROLINE<sup>+</sup> HOSE SPECIFICATIONS

### HOSE BORE SIZE RANGE -

1/2" (13MM) UP TO 3" (80MM)

### HOSE LENGTHS -

30 METRES (100 FEET) UP TO 2", 18 METRES (60 FEET) UP TO 2 1/2", 15 METRES (50 FEET) UP TO 3"

### TEMPERATURE LIMITS -

FROM -40°C (-40°F) UP TO +150°C (+302°F) CONTINUOUS

### WORKING PRESSURE RATINGS -

FROM 70 BAR (1000 PSI) FOR 1/2" BORE, TO 28 BAR (400 PSI) FOR 2" BORE

### VACUUM LIMITATIONS -

VACUUM RESISTANT TO -0.9BAR FOR ALL SIZES

### END FITTINGS - Non-Lined, or PTFE Lined and Flared design for:

ANSI 150, DIN AND JIS SWIVEL FLANGE FITTINGS, CAM & GROOVE FITTINGS AND DIP PIPES

### END FITTINGS - Non-Lined design for:

SANITARY TRI-CLAMP FITTINGS, BSP, NPT AND JIC THREADED FITTINGS, DIN 11851, RJT AND SMS HYGIENIC FITTINGS

### ALTERNATIVE DESIGN OPTIONS (TO SPECIAL ORDER) -

IF BRAIDED ONLY, DIFFERENT COLOUR RUBBER COVERS, OR PTFE LINED AND FLARED END FITTINGS FOR THE OTHER FITTING DESIGNS ARE REQUIRED, IT MAY BE POSSIBLE TO MATCH THOSE REQUIREMENTS WITH THE BIOFLEX ULTRA PRODUCT - CONSULT AFLEX HOSE.

### APPROVALS -

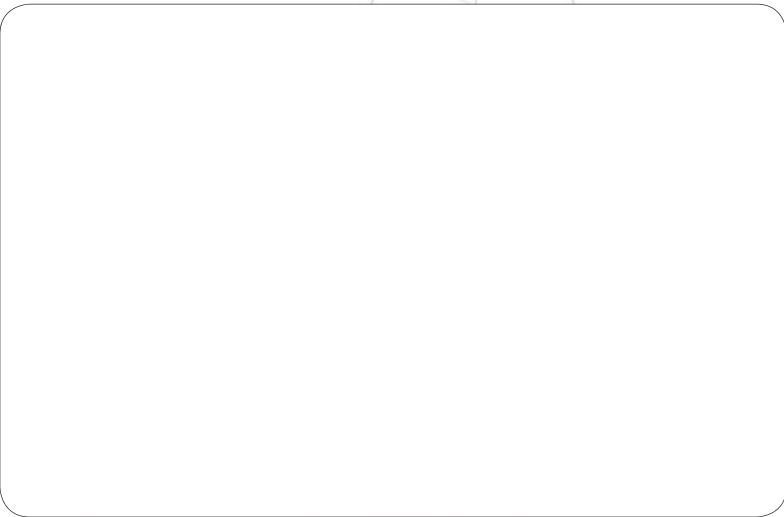
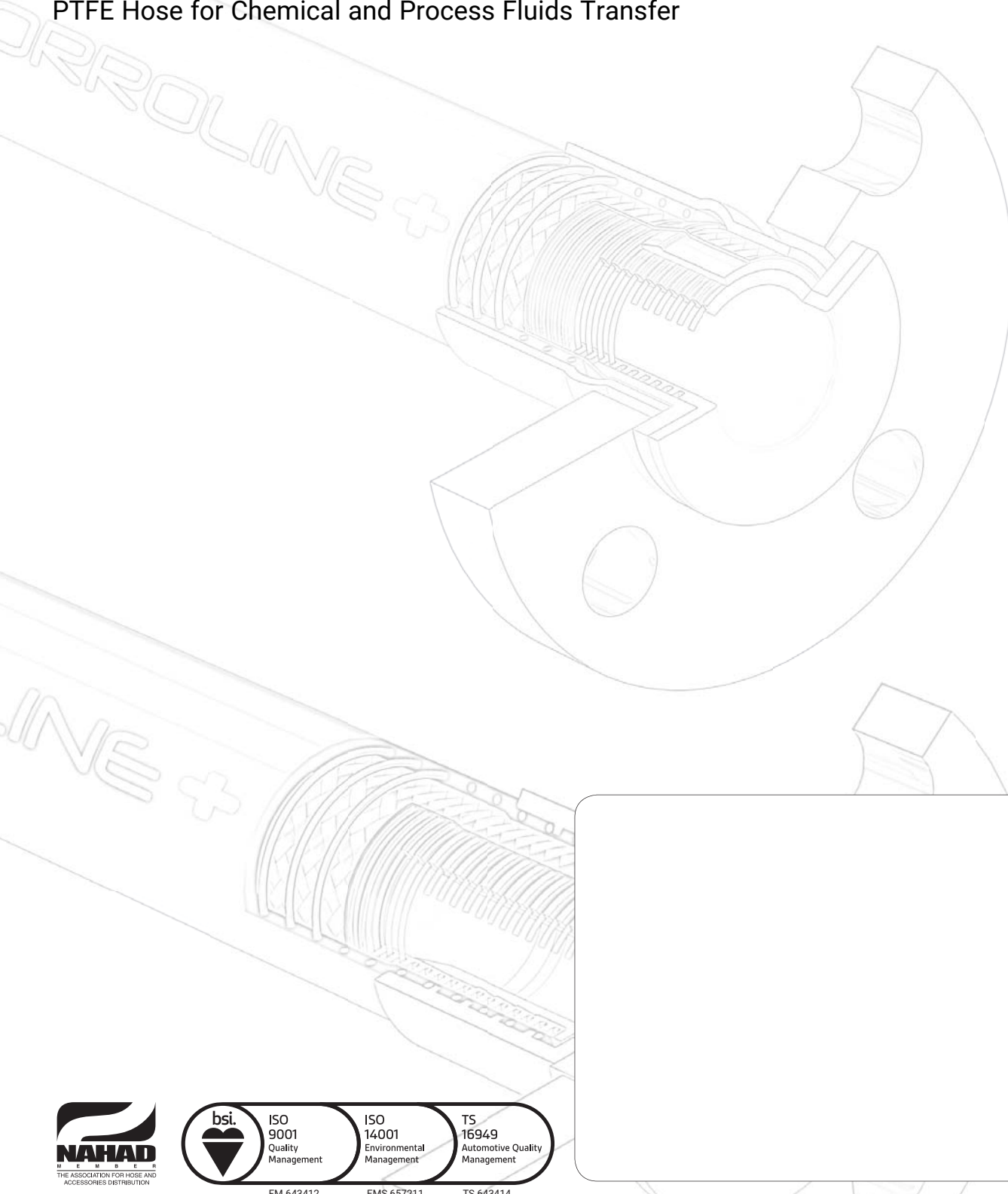
ISO 9001, EN16643, TS16949, ISO 14001, FDA (MATERIALS), USP 6, ATEX, 3.1 TRACEABILITY, FIREPROOF TO BS5173, (EU) 10/2011

FOR THE FULL CORROLINE<sup>+</sup> HOSE BROCHURE PLEASE VISIT - [WWW.AFLEX-HOSE.COM](http://WWW.AFLEX-HOSE.COM)

UK +44 (0)1422 317200 USA 215 766 1455

# CORROLINE+

PTFE Hose for Chemical and Process Fluids Transfer



USA CLN+/06.12.16 Rev 4

## UK

Spring Bank Industrial Estate  
Watson Mill Lane  
Sowerby Bridge  
Halifax  
West Yorkshire, HX6 3BW  
Tel: +44 (0) 1422 317200  
Fax: +44 (0) 1422 836000

## USA

32 Appletree Lane  
Pipersville  
Bucks County  
Pa 18947  
Tel: 215 - 766 - 1455  
Fax: 215 - 766 - 1688



[WWW.AFLEX-HOSE.COM](http://WWW.AFLEX-HOSE.COM)

