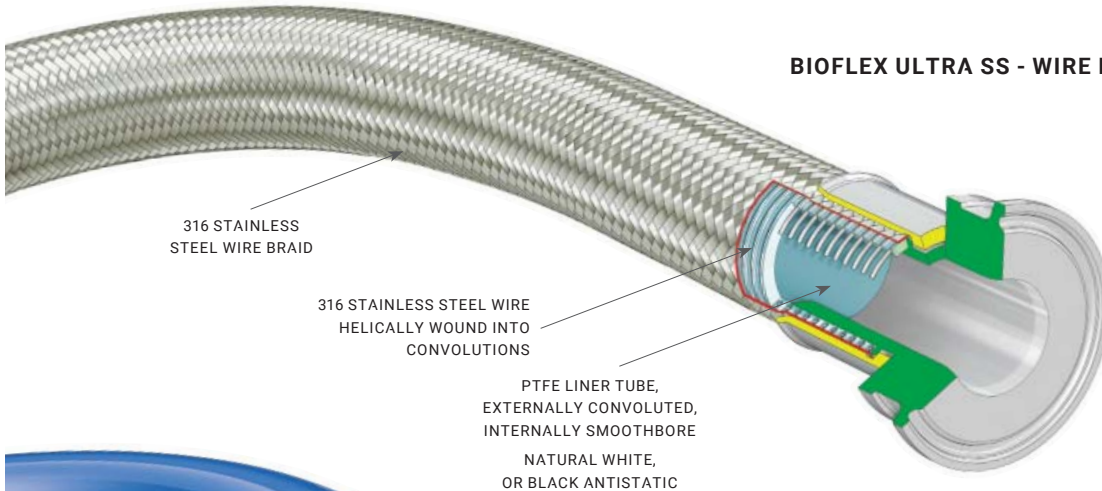


# BIOFLEX ULTRA

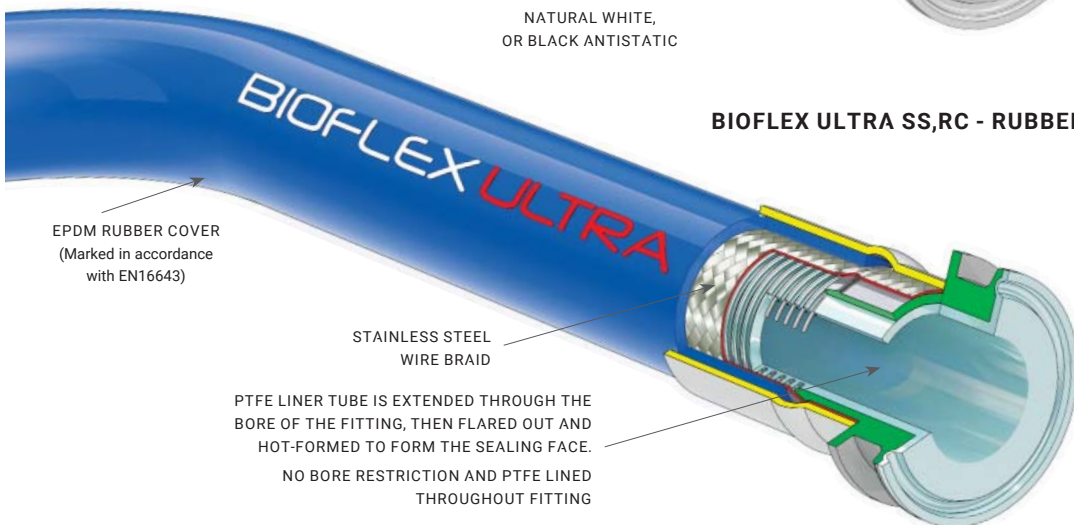
PTFE Hose for Pharmaceutical and Biotech Fluids Transfer

Very Flexible, yet Kink Resistant - Smooth Bore for Uninterrupted Fluid Flow and Ease of Cleaning



**BIOFLEX ULTRA SS - WIRE BRAIDED PTFE HOSE ASSEMBLY**

**NON-LINED  
SANITARY  
TRICLAMP  
END FITTING**



**BIOFLEX ULTRA SS,RC - RUBBER COVERED PTFE HOSE ASSEMBLY**

**PTFE LINED  
SANITARY  
TRICLAMP  
END FITTING**

## BIOFLEX ULTRA HOSE SPECIFICATIONS

### HOSE BORE SIZE RANGE -

$\frac{3}{8}$ " (10MM) UP TO 3" (80MM)

### HOSE LENGTHS -

UP TO 30 METRES (100 FEET) UP TO 2", 18 METRES (60 FEET)  
UP TO 2  $\frac{1}{2}$ ", 15 METRES (50 FEET) UP TO 3"

### TEMPERATURE LIMITS -

SS Braided Hose -73°C (-100°F) TO +260°C (+500°F)

EPDM Rubber Covered Hose -40°C (-40°F) TO +150°C (+302°F)

Silicone Rubber Covered Hose -73°C (-100°F) TO +204°C (+400°F)

### WORKING PRESSURE RATINGS -

FOR SS BRAIDED AND RUBBER COVERED HOSE 80 BAR (1160 PSI) FOR  
 $\frac{3}{8}$ " BORE HOSE, UP TO 30 BAR (435 PSI) FOR 2" BORE HOSE

### VACUUM LIMITATIONS -

VACUUM RESISTANT TO -0.9BAR FOR ALL SIZES

### END FITTINGS Non-Lined, or PTFE Lined and Flared design for:

ANSI 150, DIN AND JIS SWIVEL FLANGE FITTINGS, CAM & GROOVE FITTINGS, SANITARY TRICLAMP FITTINGS, DIN 11851 AND SMS HYGIENIC FITTINGS, I-LINE FITTINGS AND DIP PIPES

### END FITTINGS Non-Lined design for:

BSP, NPT AND JIC THREADED FITTINGS, AND RJT FITTINGS

### BRAID DESIGN OPTIONS -

STAINLESS STEEL WIRE OR POLYPROPYLENE YARN BRAIDS ARE STANDARD, WITH HASTELLOY OR PVDF BRAIDS TO SPECIAL ORDER

### EXTERNAL COVER OPTIONS -

BLUE (GRADE RC) OR BLACK (GRADE BK) EPDM RUBBER COVER, OR CLEAR SILICONE RUBBER COVER (GRADE SI)

### APPROVALS -

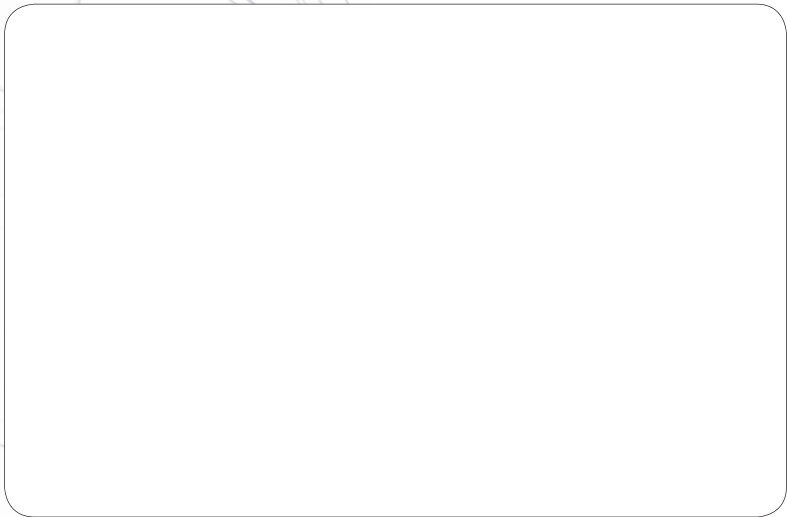
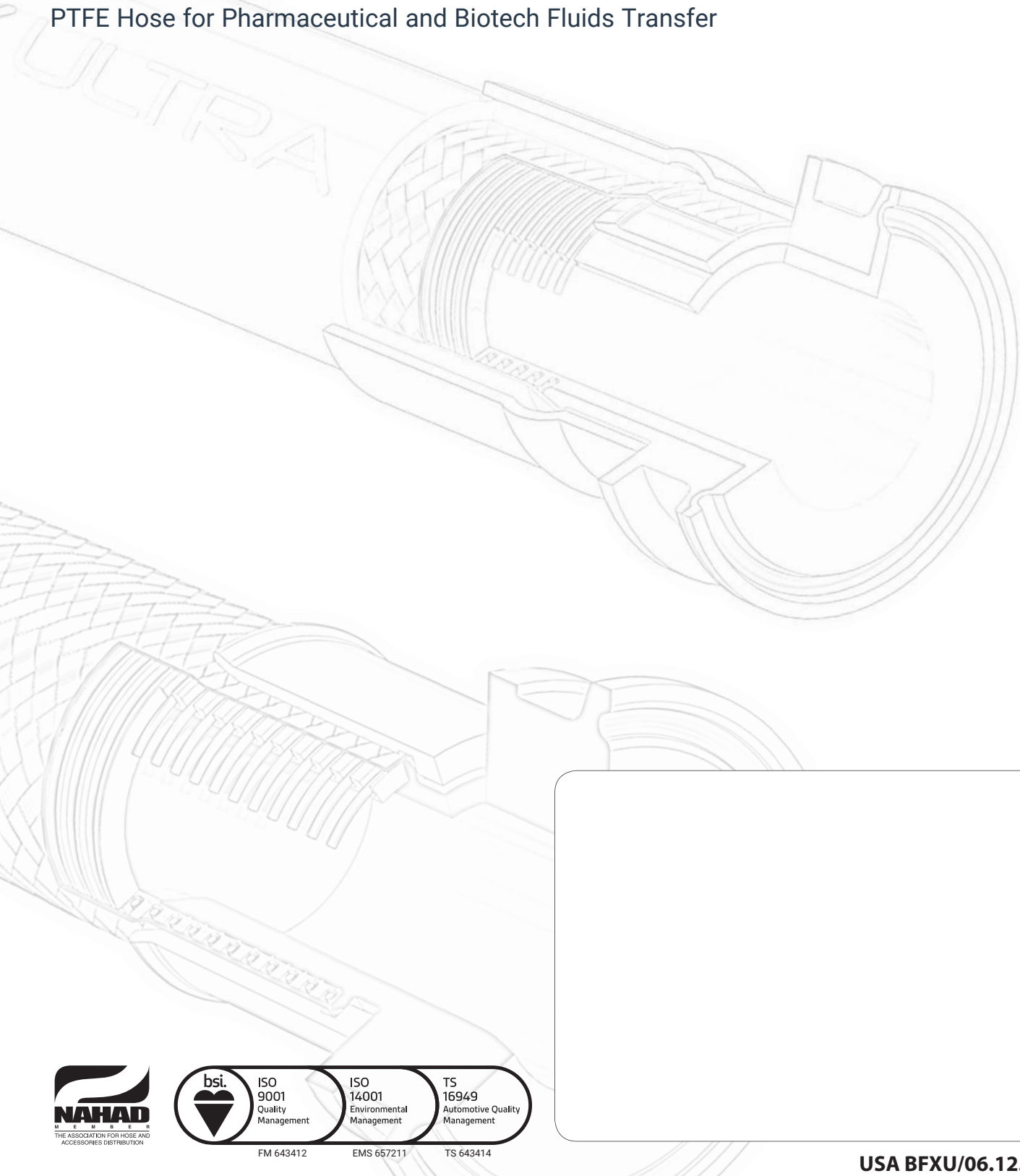
ISO 9001, EN16643, TS16949, ISO 14001, FDA (MATERIALS), USP 6, ATEX, 3-A SANITARY STANDARDS, 3.1 TRACEABILITY, GRADE BK FIREPROOF TO BS5173, (EU) 10/2011

FOR THE FULL BIOFLEX ULTRA HOSE BROCHURE PLEASE VISIT - [WWW.AFLEX-HOSE.COM](http://WWW.AFLEX-HOSE.COM)

UK 44 (0)1422 317200 USA 215 766 1455

# BIOFLEX ULTRA

PTFE Hose for Pharmaceutical and Biotech Fluids Transfer



USA BFXU/06.12.16 Rev 4

## UK

Spring Bank Industrial Estate  
Watson Mill Lane  
Sowerby Bridge  
Halifax  
West Yorkshire, HX6 3BW  
Tel: +44 (0) 1422 317200  
Fax: +44 (0) 1422 836000

## USA

32 Appletree Lane  
Pipersville  
Bucks County  
Pa 18947  
Tel: 215 - 766 - 1455  
Fax: 215 - 766 - 1688



[WWW.AFLEX-HOSE.COM](http://WWW.AFLEX-HOSE.COM)

