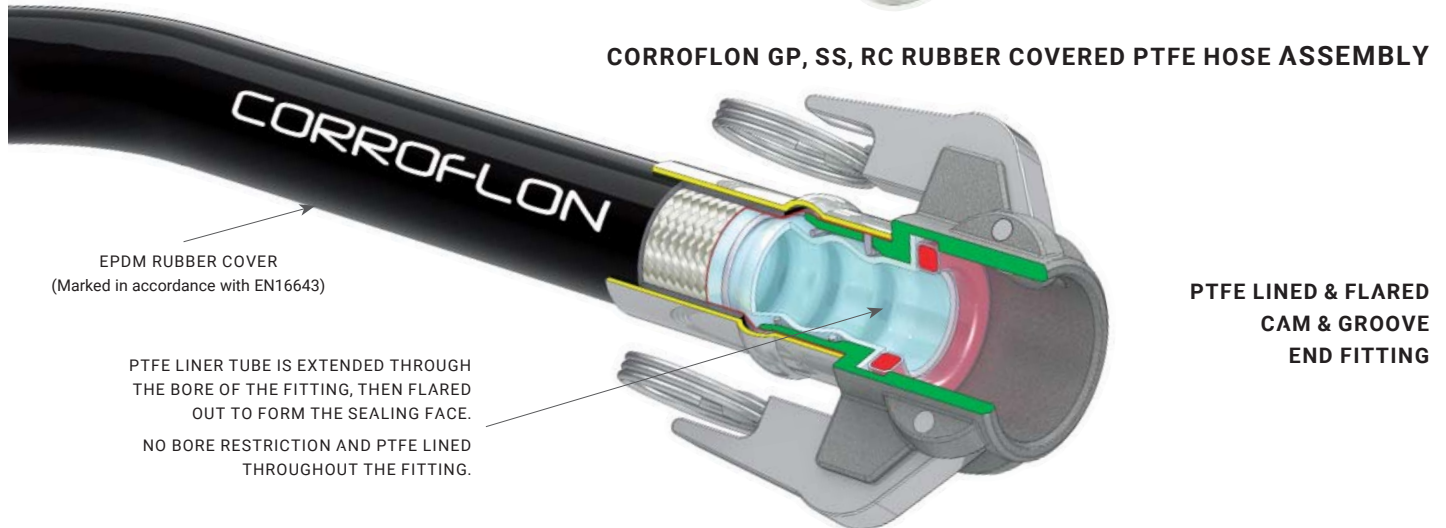
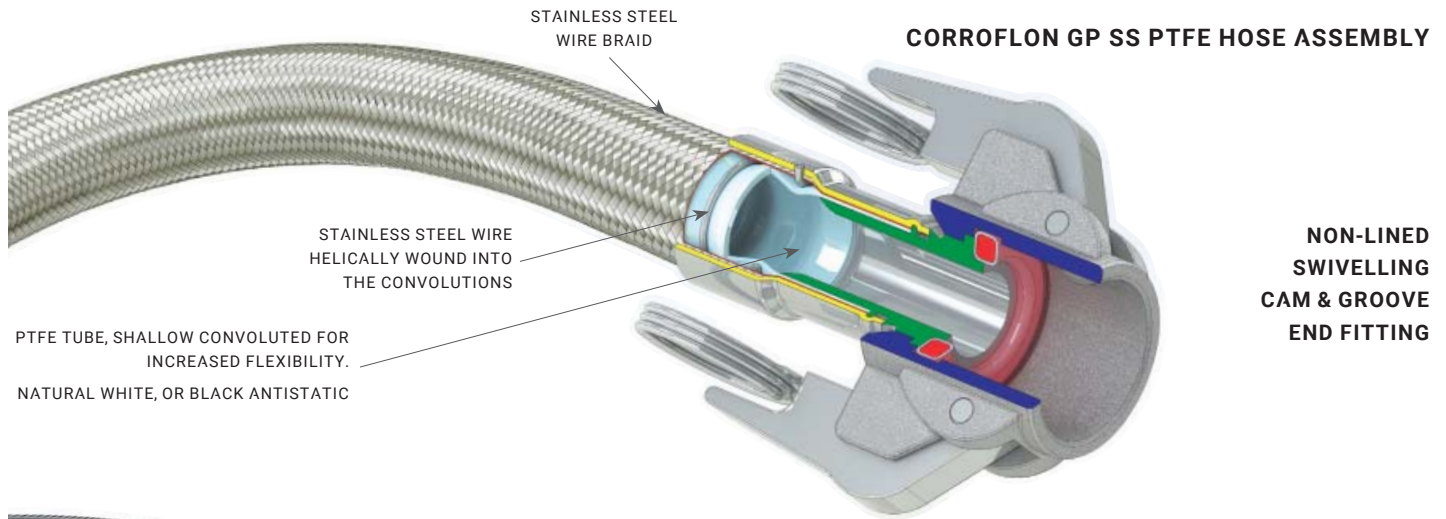


CORROFLON

PTFE Hose for Chemical and Process Fluids Transfer

Very Tough - Fully Kink Resistant - The shallow convoluted PTFE liner tube delivers exceptional flexibility



CORROFLON HOSE SPECIFICATIONS

HOSE BORE SIZE RANGE -

1/2" (13MM) BORE UP TO 6" (150MM) BORE

HOSE LENGTHS -

UP TO 2", 30 METRES (100 FEET). 2 1/2" AND 3", 20 METRES (65 FEET). 4", 10 METRES (33 FEET). 6", 6 METRES (20 FEET)

TEMPERATURE LIMITS -

FOR SS BRAIDED HOSE -73°C (-100°F) TO +260°C (500°F).
FOR OTHER BRAIDS AND RUBBER COVERED GRADES DIFFERENT TEMPERATURE LIMITS APPLY, SEE FULL BROCHURE

WORKING PRESSURE RATINGS -

FOR SS BRAIDED 41 BAR (600 PSI) FOR 1/2", TO 20 BAR (290 PSI) FOR 2" DEPENDANT UPON TEMPERATURE

VACUUM LIMITATIONS -

VACUUM RESISTANT TO -0.9BAR FOR ALL SIZES UP TO 2", AND IN 'SP' GRADE FOR SIZES ABOVE 2"

END FITTINGS Non-Lined, or PTFE Lined & Flared design for:
ANSI 150, DIN AND JIS SWIVEL FLANGES, CAM & GROOVE, SANITARY TRICLAMP, DIN11851 AND SMS HYGIENIC FITTINGS

END FITTINGS Non-Lined design for:
BSP, NPT AND JIC THREADED FITTINGS, AND RJT FITTINGS AND MORE

BRAID DESIGN OPTIONS -

STAINLESS STEEL WIRE OR POLYPROPYLENE YARN BRAIDS ARE STANDARD, WITH HASTELLOY OR PVDF BRAIDS AVAILABLE TO SPECIAL ORDER

EXTERNAL COVER OPTIONS -

BLACK EPDM RUBBER COVER, OR CLEAR SILICONE RUBBER COVER

APPROVALS -

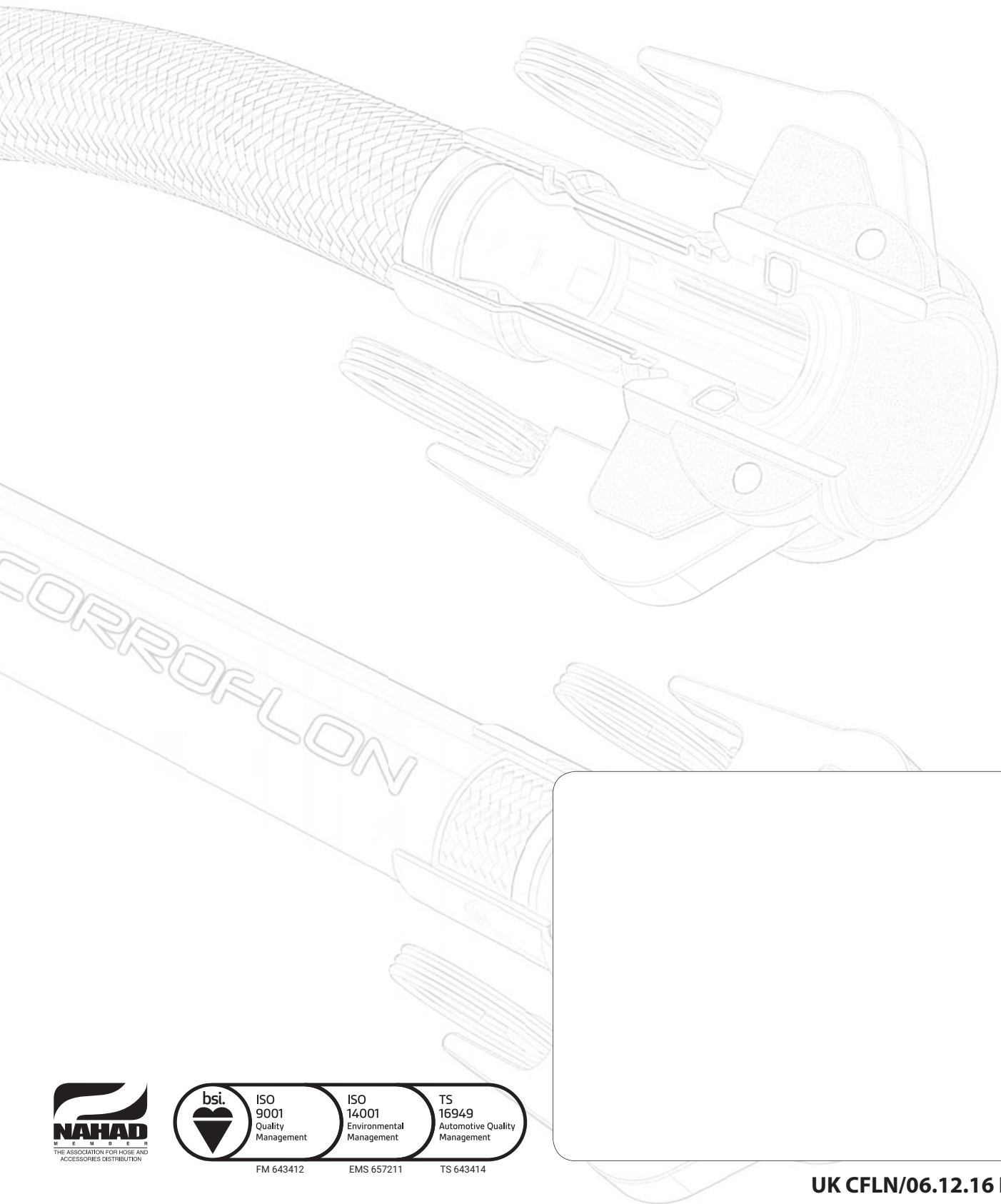
ISO 9001, EN16643, TS16949, ISO 14001, FDA (MATERIALS), USP 6, ATEX, 3.1 TRACEABILITY, (EU) 10/2011

FOR THE FULL CORROFLON HOSE BROCHURE PLEASE VISIT - WWW.AFLEX-HOSE.COM

UK +44 (0)1422 317200 USA 215 766 1455

CORROFLON

PTFE Hose for Chemical and Process Fluids Transfer



UK CFLN/06.12.16 Rev 3

UK

Spring Bank Industrial Estate
Watson Mill Lane
Sowerby Bridge
Halifax
West Yorkshire, HX6 3BW
Tel: +44 (0) 1422 317200
Fax: +44 (0) 1422 836000

USA

32 Appletree Lane
Pipersville
Bucks County
Pa 18947
Tel: 215 - 766 - 1455
Fax: 215 - 766 - 1688



WWW.AFLEX-HOSE.COM

